

PageAlert for Factories

PageAlert PA-16
Module



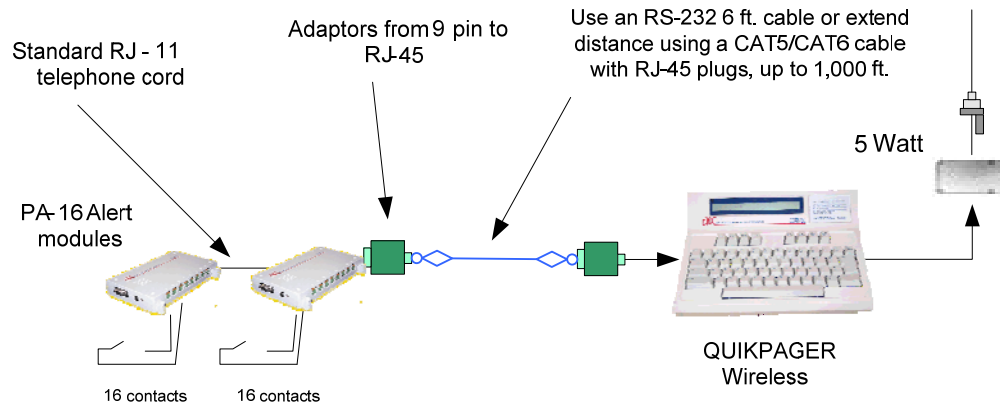
Deliver alarm messages triggered by existing factory monitors and controllers, in seconds!

- **Temperature**
- **Humidity**
- **Pressure**
- **Volume**
- **Speed**
- **Weight**
- **Doors**
- **Fans**

Use **PageAlert** PA-16 modules to save money and increase productivity by sending programmable alarm messages when contacts of relays open, close or both. With **PageAlert**, alarm messages are delivered, within seconds, to individuals carrying Canamex pocket pagers.

PageAlert modules work with **QUIKPAGER Wireless** stand-alone paging controller and with **PageRouter Pro** software.

QUIKPAGER Wireless with PageAlert



- Each PageAlert PA-16 module can monitor up to (16) "dry" contacts.
- Connect up to (6) PageAlert PA-16 modules to monitor up to (96) contacts.
- Send typed messages from the keyboard.
- Program an 18-character alarm canned message for each contact.
- Program to page alarm messages when contacts close, open, or both.
- Assign each contact to notify one individual or a Group of people.
- Optionally, program a delay response and/or to repeat the message per contact.
- Select to repeat the message until the original contact status returns.

Installation is easy. All programming is performed on QUIKPAGER Wireless without the need of a computer.

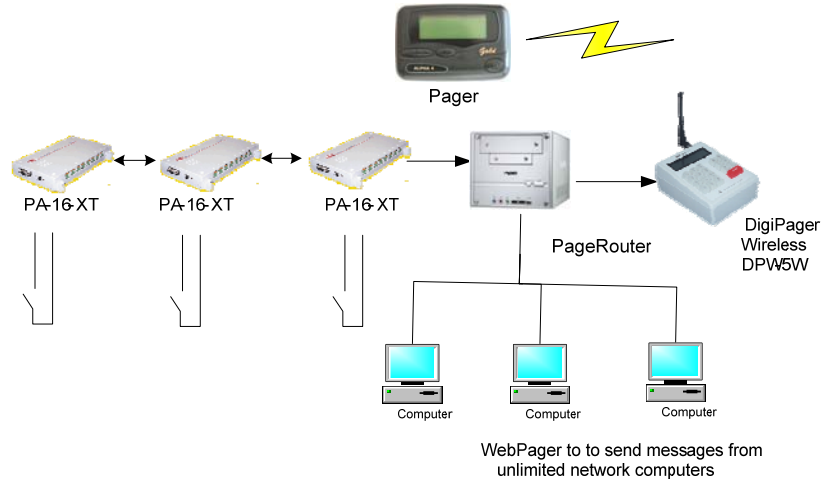
**ALPHA4 GOLD Industrial
pocket pagers**





PageRouter Pro with PageAlert

PageRouter Pro software is a powerful and reliable tool to monitor contacts using PageAlert Modules.



In addition to standard PageAlert functions, you can benefit from additional functionality:

- **PageRouter Pro** allows you to quickly change **PageAlert** canned messages and message destination assignment with drag-and-drop action.
- Program **escalation** to send the alarm message to an alternate individual or Group, if contact does not change status within a programmable period.
- Program specific **monitoring date and time** per contact. *i.e.: Monitor back exit door between 5 PM and 3 AM.*
- Program **"Time Shifts"** to be assigned to users and Groups. Change users in Groups, at anytime, following work schedules. *i.e.: Contact 3 should page staff in the Night Shift group between 6 PM and 2 AM and in the Day Shift group between 8 AM and 4 PM.*
- Provide access to authorized personnel to **send messages from any network computer** using a browser.
- Authorized personnel can **view the log of alarm and regular messages** for their Department on any network computer.
- Use "maps" with **"drag-and-drop"** action to program users in Groups and Departments, program Time Shift assignment, and contacts assignments including escalation.



PageRouter gives the Administrator **complete programming flexibility** to change canned alarm messages, destination of messages, "Time Shifts", people in Groups, and all monitoring parameters on the PageRouter computer.

In addition, PageRouter gives you a powerful **Message Log** to keep track of sent alarms, showing date and time, origin, recipient, message status and the text of the message. You can filter the log by date range and message content.

PageRouter Pro offers multiple options that can be added at any time. For example, it can send alarm messages to Smartphones using TeraMessage; receive plain ASCII messages from existing Alarm systems; and many other optional capabilities. Please contact us for specific applications.



FEATURES COMPARISON TABLE

QUIKPAGER WIRELESS and PageRouter PRO with PageAlert



QUIKPAGER
Wireless

PageRouter
Software

PageAlert Functionality	C=Closed O=Opened B=Both I=Individual G=Group D=Dept. R=Remote	
PageAlert sets of (6) PageAlert Modules	1	12
Monitor contacts per set	96	96
PageAlert contact monitor modules	6	72
Total monitor contacts capacity	96	1152
Independent operation/program per set	√	√
Characters in programmable canned message per contact	18	2000
Program canned messages and alarm destinations on keyboard	√	PC/Network
Trigger can message on contact	C/O/B	C/O/B
Recipient(s) assigned to a contact	I/G	I/G/D/R
Program delay response per contact	C/O	C/O
Message repeats per contact	C/O	C/O
Programmable repeat interval	C/O - 1 min	C/O
Escalation to secondary recipient	No	C/O
Number of Groups	8	Unlimited
People in each Group	10	Unlimited
Simultaneous contact monitoring	√	√
Print PageAlert messages reports	Online printing	Unlimited
Over-all Functionality		
Total number of Users	200	Up to 10000
Login via a browser to send messages		√
Unlimited network computers / no client software needed		√
Message delivery within 10 seconds	√	√
Search recipients by name or number	√	√
Canned messages for fast entry	6	Unlimited
Timeless login sessions		√
Create an unlimited number of Departments		√
Create an unlimited number of Groups in each Department		√
Assign any number of recipients to each Department and Group		√
Log up to 4,000,000 messages before purging		√
Messaging Capabilities		
Multi-recipient messaging		√
Scheduled messages with optional repeat periods		√
Deliver messages to onsite pagers	√	√
Deliver messages to commercial pagers	Dialup	√



Deliver messages to email addresses ✓
 Max. message length (in characters) 230 230

Logs

Records date & time of entry, sender, recipient(s) and message text ✓
 Real-time status of messages delivery ✓
 Filter by date range and other message parameters ✓
 Export to Microsoft Excel or Adobe PDF format ✓
 Purge by date automatically saves in Microsoft Excel format ✓
 Master log, viewable by Master and Log Administrators ✓
 Individual User logs ✓

User Management & Security

Five levels of access security ✓
 Program username and password to access messaging ✓
 Set individual user permissions for system/messaging access ✓
 Text and attachments encrypted point to point ✓

Sending messages from any network computer is very easy.

Simply open a browser and login to your PageRouter running on a computer connected to your network.

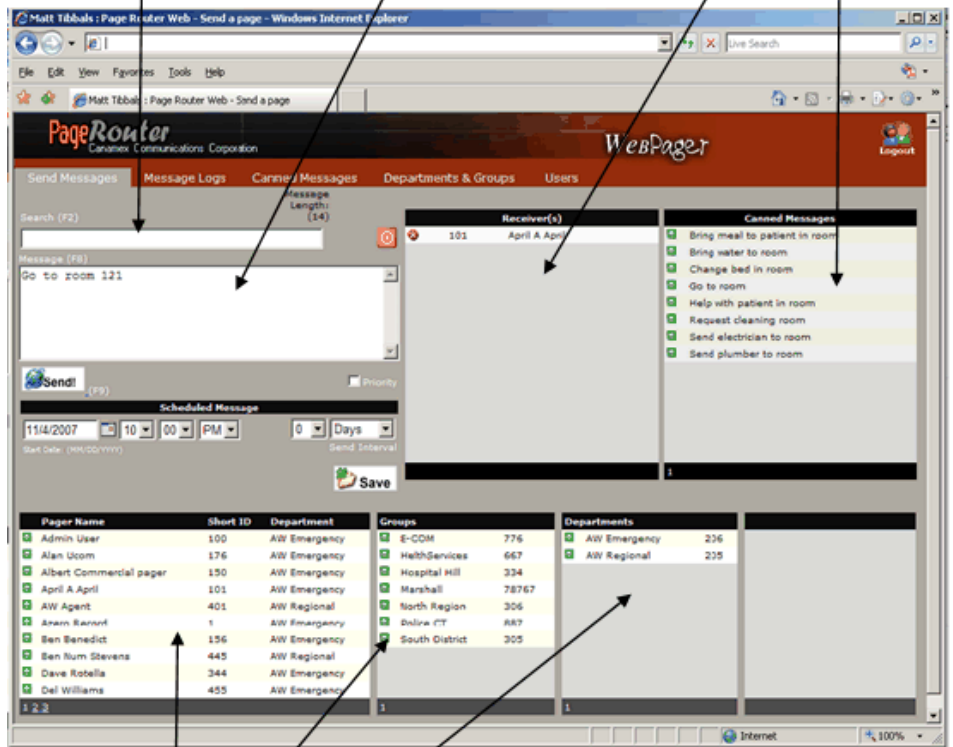
YOU DO NOT NEED TO INSTALL PageRouter ON YOUR COMPANY'S SERVER.

Install PageRouter on any network **desktop** computer running Windows 7 Professional, Windows VISTA Professional, Windows 2003 Server or Windows 2008 server, whatever is more convenient for your operations. Contact us for assistance.

Enter a Name or ID number to search

Type text of message or append a canned message

List of recipients of Dynamic Group

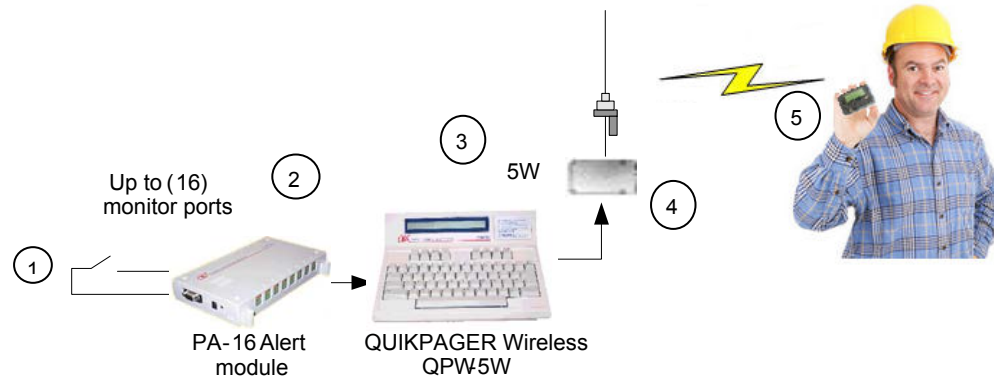


User can view Names, Groups and Departments according to permission on the User profile

PageRouter Pro is the Next Generation of Factory Messaging Technology



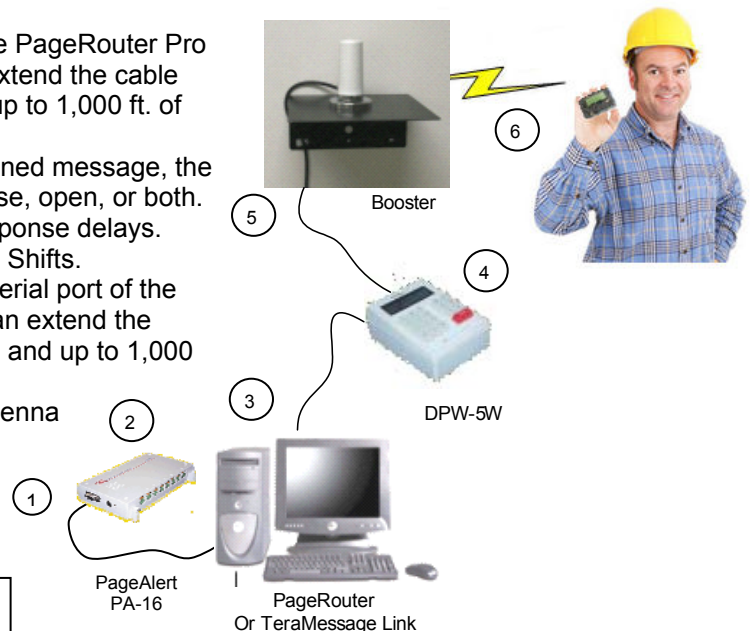
Installation example of QUIKPAGER Wireless with PageAlert Modules



- 1 Run a twisted pair cable from each PageAlert contact monitor to each relay contact.
- 2 Connect the PA-16 module to QUIKPAGER Wireless using an RS-232 cable. You can extend the cable length by using RJ-45 to 9-pin D adaptors and up to 1,000 ft. of CAT5/CAT6 cable with RJ-45 connectors.
- 3 In QUIKPAGER, for each contact, program a canned message, the recipient and select transmission on contact close, open, or both. Optionally, you can program a response delay and a one-minute transmission repeat per contact.
- 4 Install paging transmitter on the wall using supplied mounting accessories and a 12 ft. cable.
- 5 Alarm and typed messages are received in one or all the pagers, within a few seconds.

Installation example of PageRouter Pro with PageAlert Modules

- 1 Run a twisted pair cable from each PageAlert contact monitor to each relay contact.
- 2 Connect the PA-16 module to a serial port of the PageRouter Pro computer using a 6 ft. RS-232 cable. You can extend the cable length by using RJ-45 to 9-pin D adaptors and up to 1,000 ft. of CAT5/CAT6 cable with RJ-45 connectors.
- 3 In PageRouter, for each contact, program a canned message, the recipient and select transmission on contact close, open, or both. Optionally, program repeats, escalation and response delays. Program users, Groups, Departments and Time Shifts.
- 4 Connect the DigiPager paging transmitter to a serial port of the PageRouter computer using a 6 ft cable. You can extend the cable length by using RJ-45 to 9-pin D adaptors and up to 1,000 ft. of CAT5/CAT6 cable with RJ-45 connectors.
- 5 Install the wall mount antenna. Connect the antenna to the DigiPager transmitter.
- 6 Alarm and typed messages are received in one or all the pagers, within a few seconds.



**Contact Canamex Communications to receive
FREE configuration assistance**

